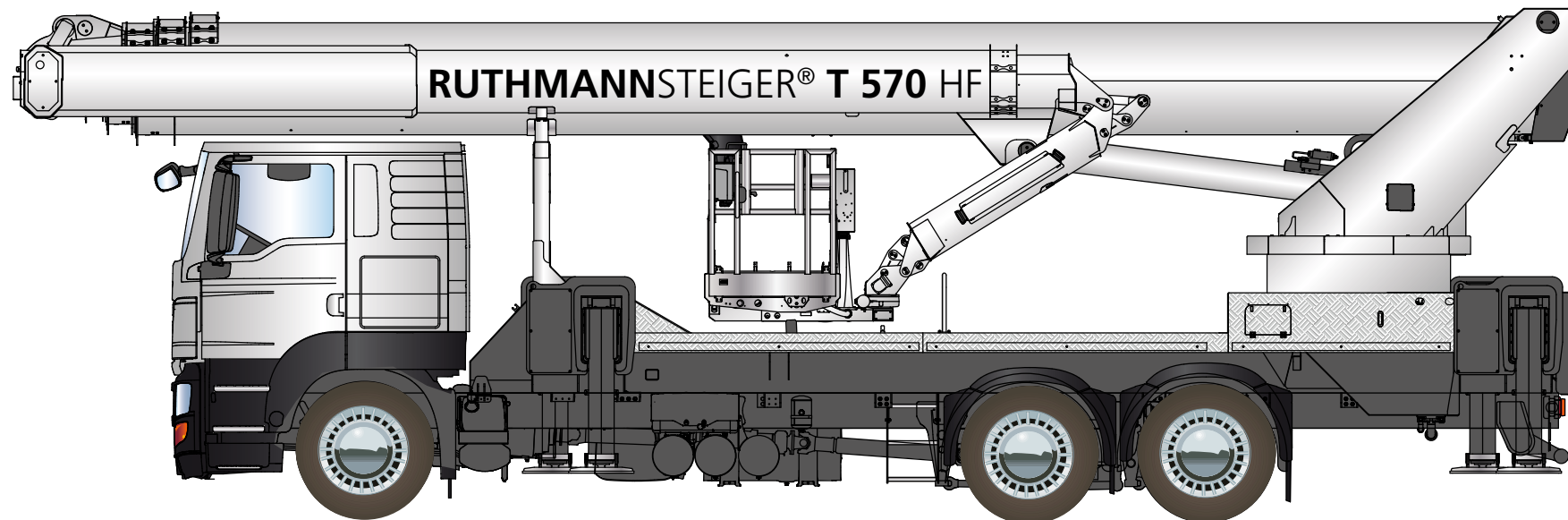
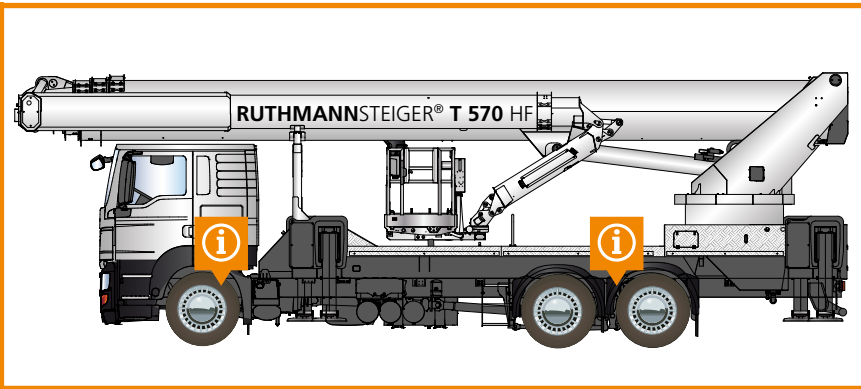


STEIGER® T 570 HF



**EVOLUTION in the 26 t class
with true added value!**

STEIGER® T 570 HF

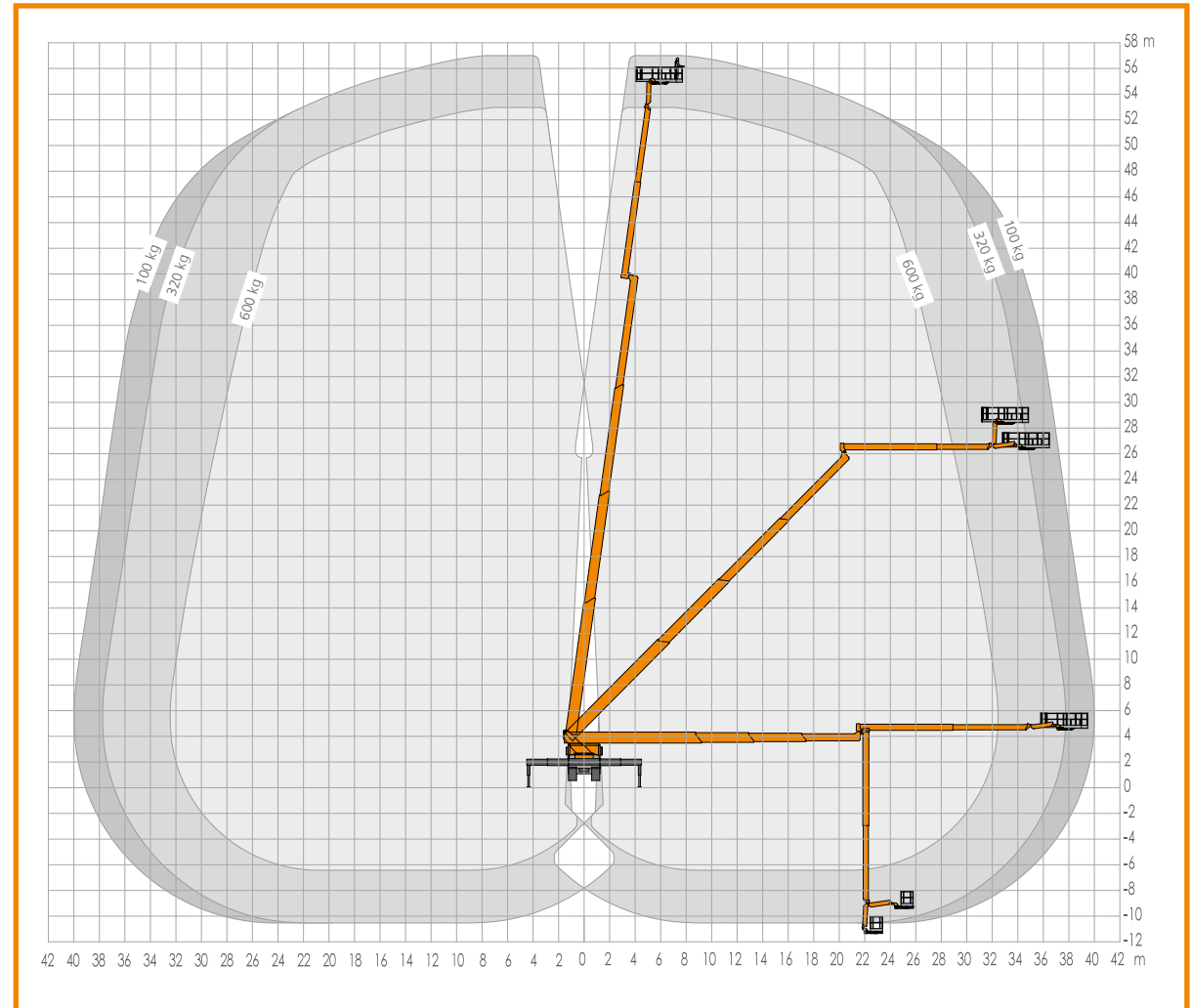


i Evolutionary POWER on 3 axes (26 t chassis)

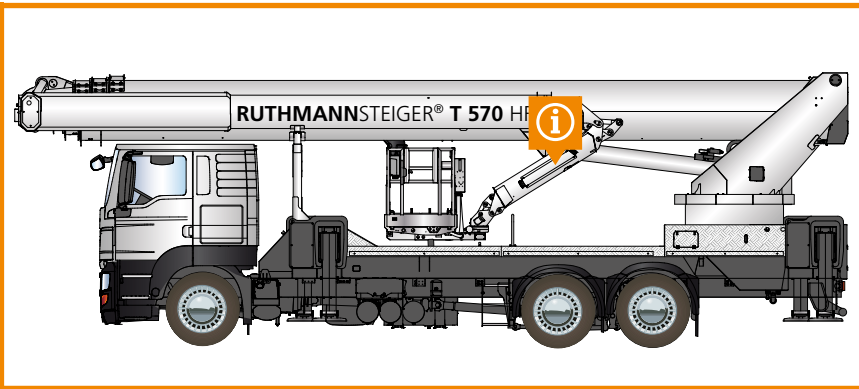
PERFORMANCE DATA*

- + i** 57 m working height → 3 m MORE
- + i** 41 m outreach → 1 m MORE
- + i** 2° inclination
- + i** Total length 11.99 m
- + i** max. height 3.99 m → 4x4
- + i** 83° angle of elevation → 2° MORE

*depending on mounts and features



STEIGER® T 570 HF



Significantly **MORE** flexibility in use with the **highflexRÜSSEL®** (jib)



220°

True angle of the RÜSSEL®'s (iib) due to optimized articulating telescopic basket

+ 10° MORE



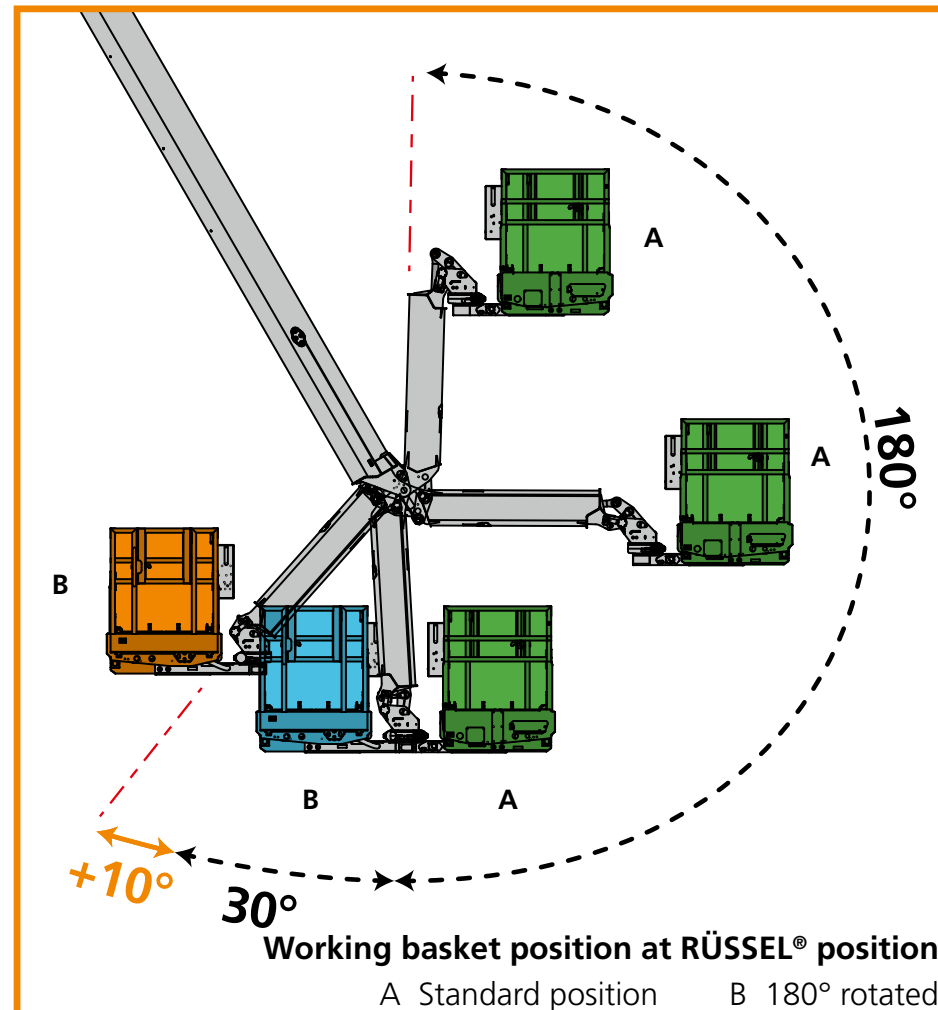
2.0 m RÜSSEL®-length (jib)
therefore 6 m object flexibility

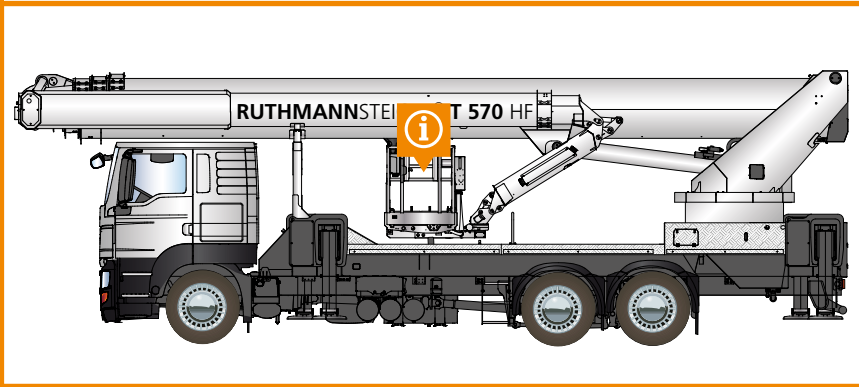


40° MORE RÜSSEL® (jib) rotation compared to T 540



'Standing' working basket perfect for 'under and up' as well as all possibilities of 'up and over and back' during lowered RÜSSEL®





i MORE flexibility in use with the **highflex** working basket

+ **440°**
MAXIMUM BASKET ROTATION ANGLE

+ 2 x 220° working basket rotation
+ 40° MORE

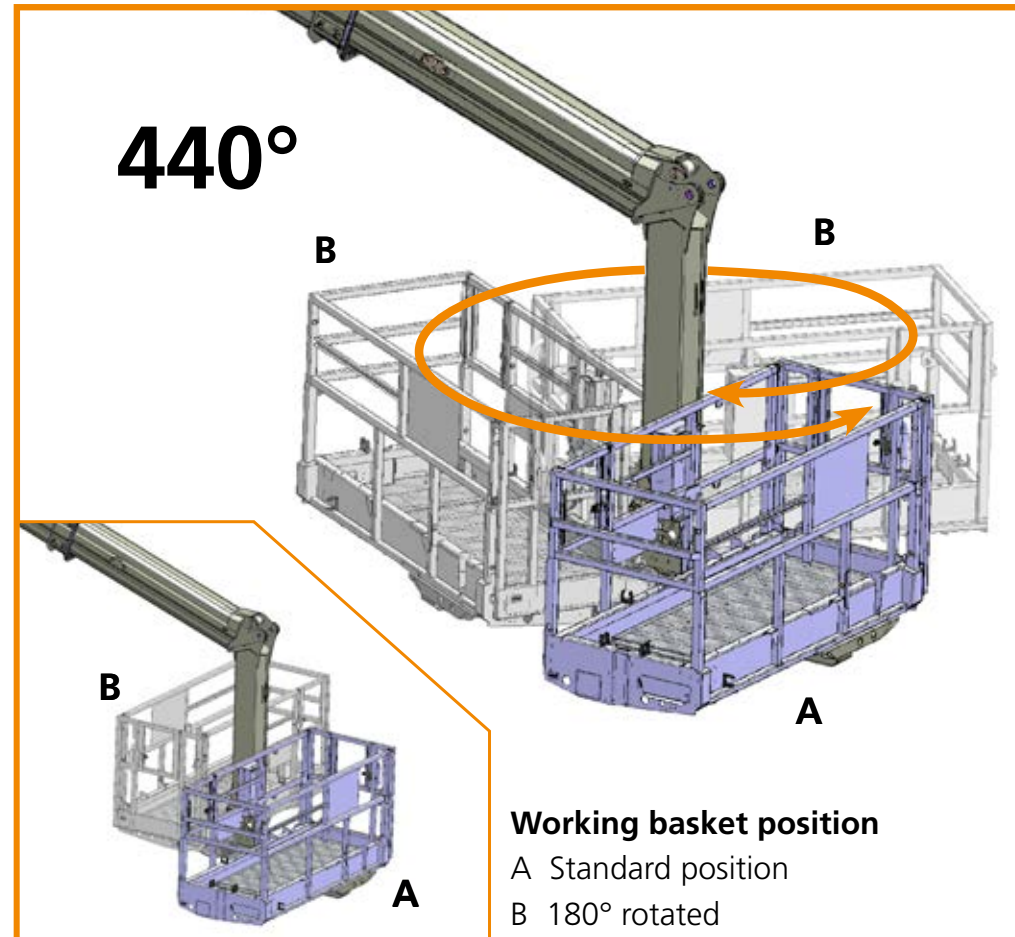
+ Perfect for 'up and over and back'
to work perfectly from the rear side of objects

+ Biggest working basket available
on the market
3.82 x 0.97 m fully telescoped

+ 600 kg working basket load

+ Few interference factors under
working basket

+ All positions also reachable with
extended working basket



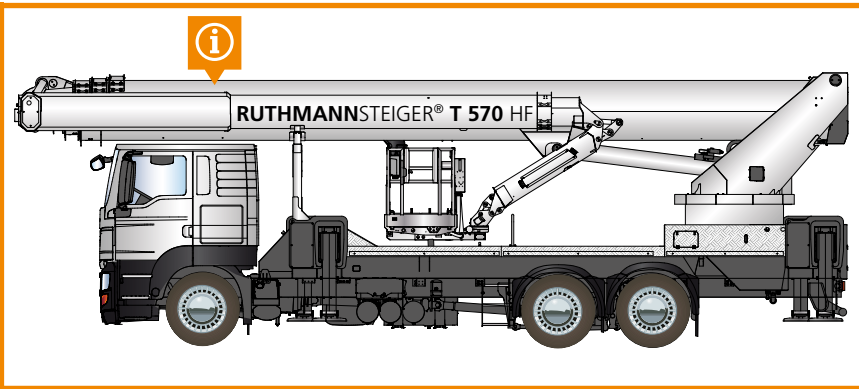
Working basket position

A Standard position

B 180° rotated



STEIGER® T 570 HF

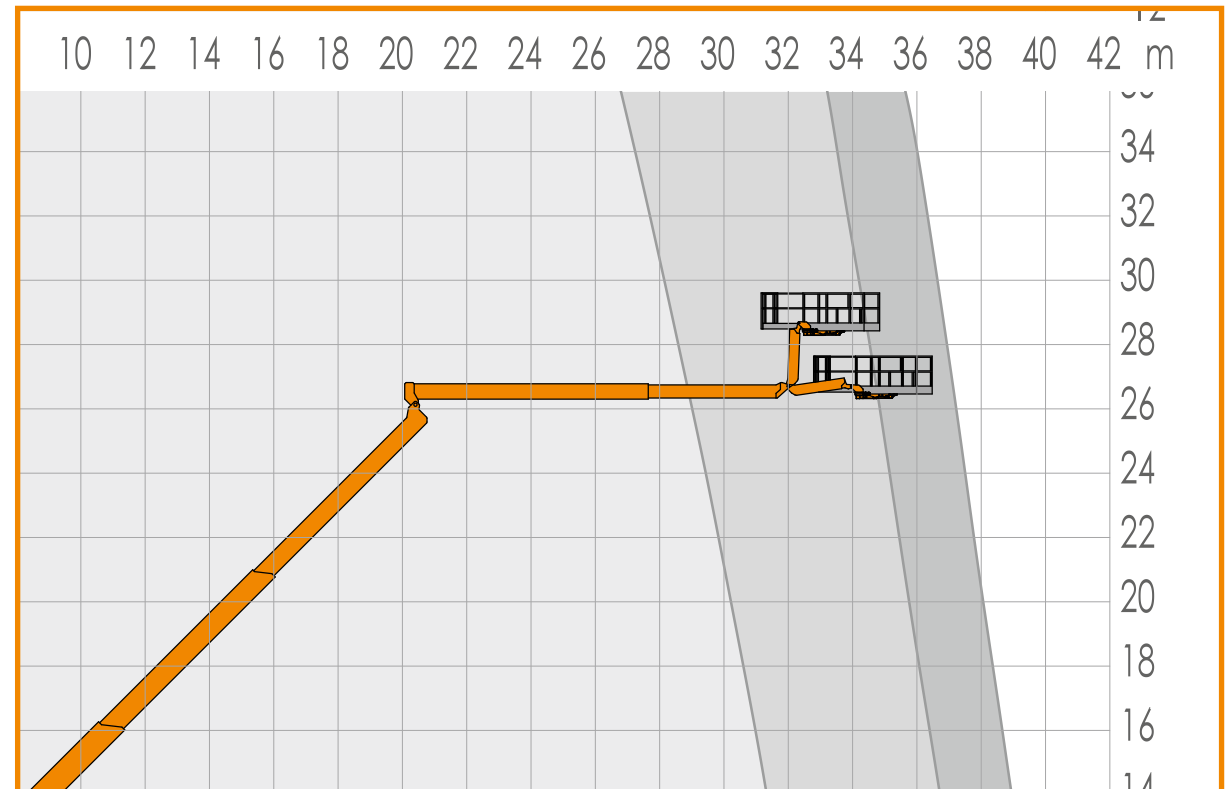


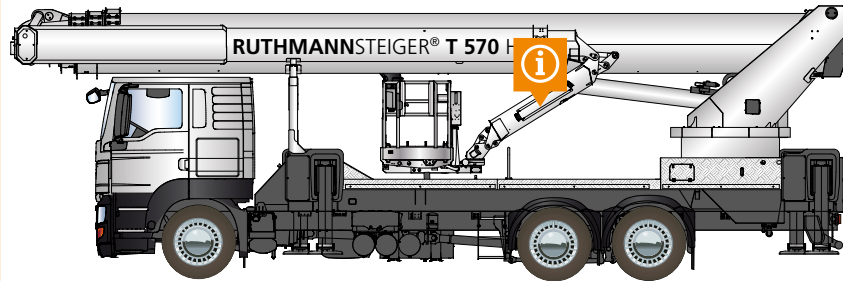
i Once again **the upper boom length** has been increased for even more outreach in the elevated direction

+ **18.25 m**

TOTAL HORIZONTAL RANGE OF THE UPPER BOOM

+ still + 2.5 m more against T 540





i still MORE **UNDERGROUND** power

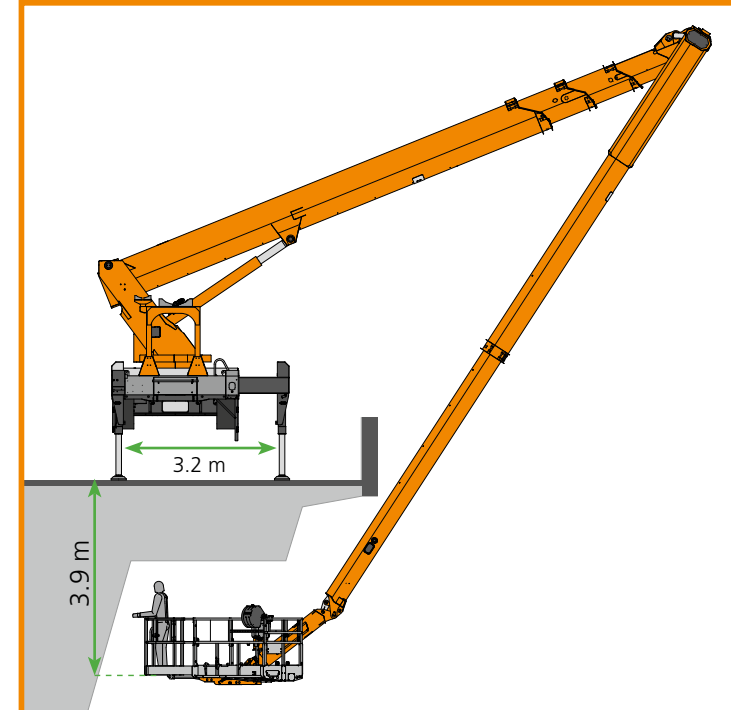
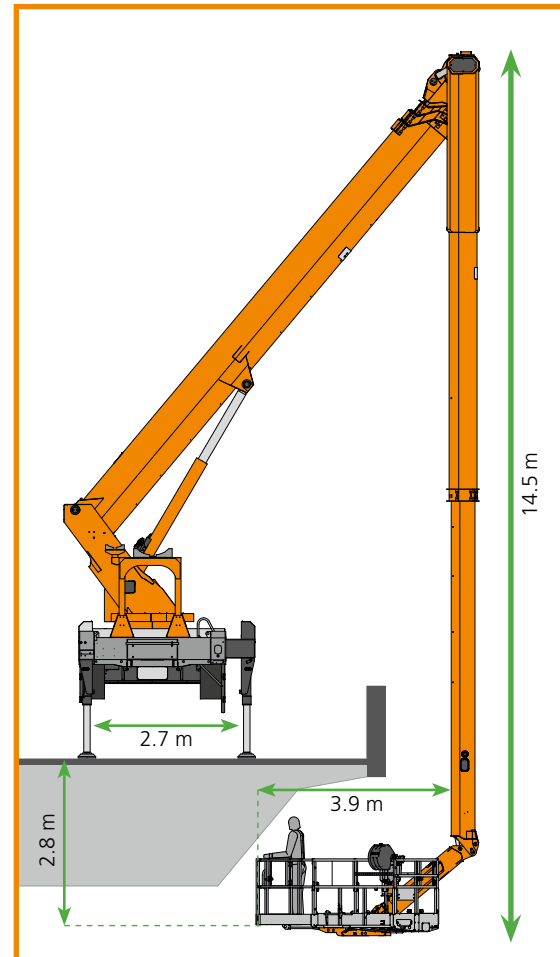
+ **12 m**

Total underground 'working depth'

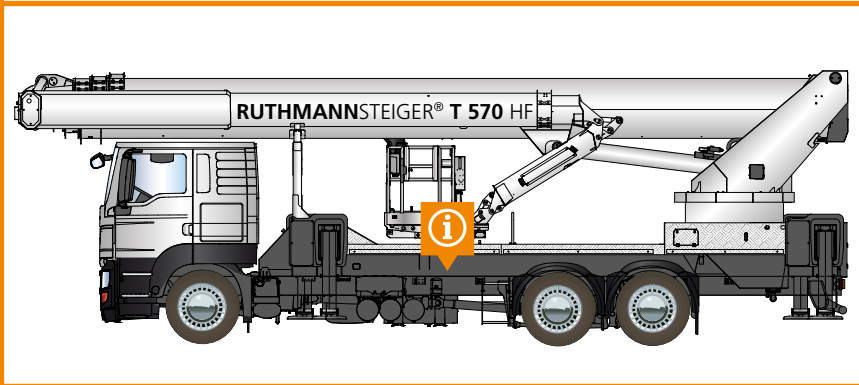
+ + 4.5 m even more than the T 540

+ Extremely dynamic as 440° basket rotation angle

+ brings the basket up to 1.2 m closer to the object than any comparable competitor's offer ('standing' working basket)



STEIGER® T 570 HF



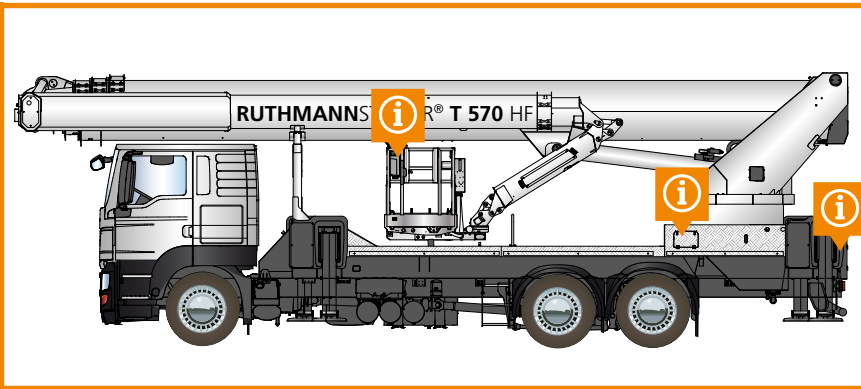
i MORE chassis selection is not possible!
We meet (almost) all your wishes!

CHASSIS SELECTION POSSIBILITIES

- +** All major brands
- +** Drive: 6x2, 6x4, 6x6
- +** Also possible with 6x6 < 3.99 m total height
- +** Standard or long driver's cabin



STEIGER® T 570 HF

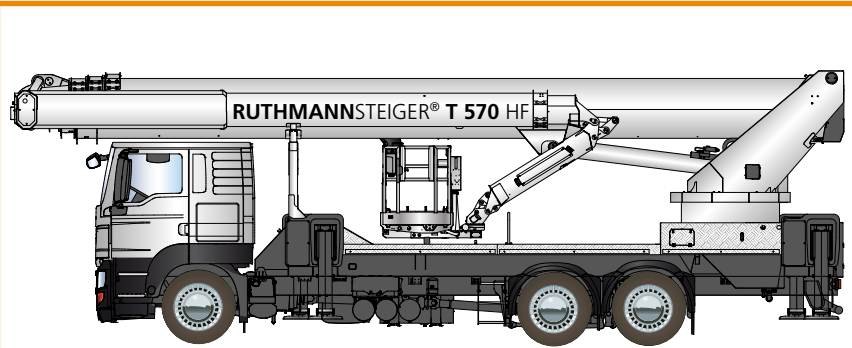


i Even MORE HEIGHT performance features and benefits

- +** **DIVERSE DRIVING POSITIONS FOR THE SUPPORTS**
Working basket – vehicle rear (left + right) – Second control
- +** **COCKPIT (control unit in the working basket)**
- +** **Component equality in comparison to other models brings SURPLUS value with**
 - +** Service/maintenance
 - +** Supply of spare parts and availability



STEIGER® T 570 HF



MORE possibilities with the
**special features HEIGHT
performance**



HERE SOME EXAMPLES:

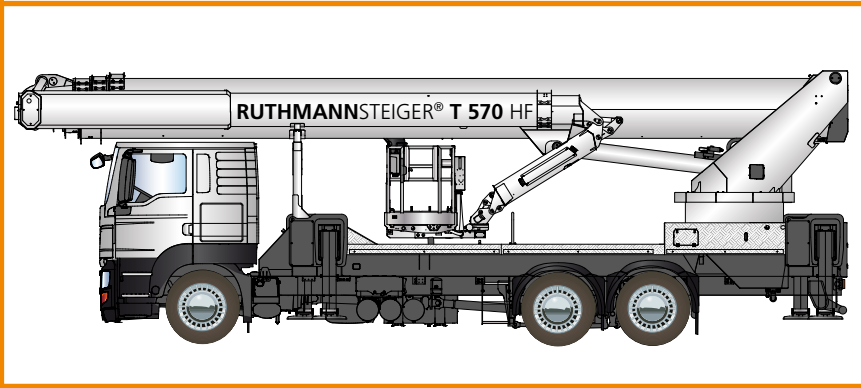
- + Hybrid drive
- + Ambient lighting
- + Folding seat
- + Camera basket
- + Lift-up system
- + Material winch
- + Diverse heating systems in the working basket
- + hyCLEANER adaption
- + Underlay plates for supports
- + Box structures on load area
- + and much, much more!



HEIGHT performance highflex



STEIGER® T 570 HF



A GREATER number of reference customers in the segment of large appliances – latest technology – cannot be found anywhere else

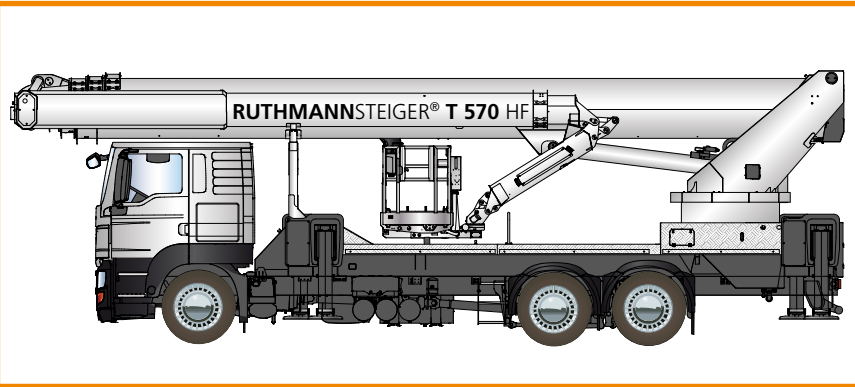


More than 200 HEIGHT performance-units since 2012



Guarantor for worldwide proven technology in day-to-day use





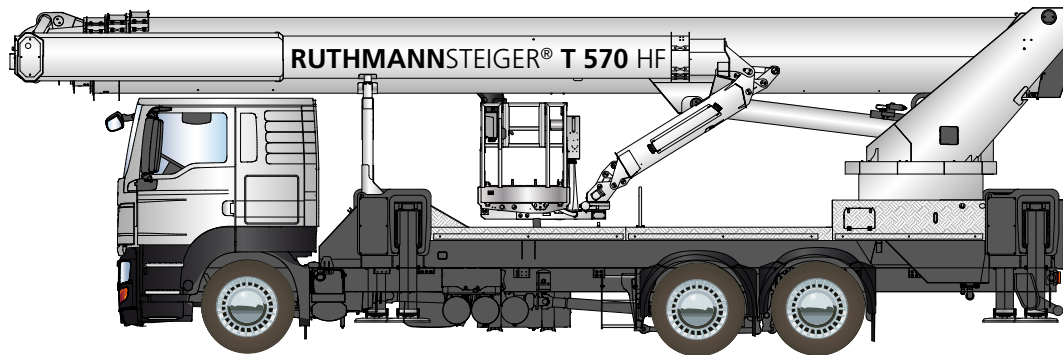
Consistent continuation of innovative
HEIGHT performance-series

REVOLUTION

RUTHMANN's EVOLUTION =

Reaching product innovations by creative ideas
and experience – characterized by onward
development with
SURPLUS value

EVOLUTION in the 26 t class with true added value!



Benefits Overview

- World record performance data
- 57 m working height
- 41 m outreach
- On 3-axes-chassis
- New highflexRÜSSEL® -> 220° Range of motion
- New highflex working basket -> 440° swivelling area
- Further extended upper boom
- Multi-chassis possibilities: Brands, driver's cabin variants and drive types (6x6 four-wheel drive or 6x2 or 6x4)
- Current control and operating technology (COCKPIT)
- Comprehensive optional special features
- A great number of national and international references

STEIGER® T 570 HF

Ruthmann GmbH & Co. KG

Von-Braun-Straße 4
48712 Gescher-Hochmoor
GERMANY

Phone: +49 2863 204-0
Fax: +49 2863 204-212

Internet: www.ruthmann.de
E-mail: export@ruthmann.de